



SPRAY NOZZLES FOR INDUSTRIAL APPLICATIONS



DUST AND ODOUR SUPPRESSION CATALOGUE



PNR ITALIA SRL

EXPERIENCE, KNOWLEDGE AND QUALITY FOR THE INDUSTRY

Our company follows a path of continuous improvement of efficiency, that goes from a proper order handling, product quality and delivery times, to the choice of the most appropriated packing materials.

Our portfolio ranges from all types of spray nozzles, wash heads and atomizers to more complex and tailored spraying units and devices. The result of a long experience and a vast know-how in fluids dynamics, design, and manufacturing. Throughout our history, we have successfully served a wide variety of industries all over the world. We can supply our products through a global sales network of PNR commercial branches and Distributors.

Located in Voghera, not far from Milan, our Headquarters and production facility span 14.000 sqm, conveniently positioned in a well-served area, near key international shipping routes and in easy reach of the Genoa port.

We are focused on delivering innovative and technology-based solutions to respond to the changing needs of customers, while maintaining our commitment to tradition and Italian quality.



SUPPRESSION OF DUST AND ODOURS

Design and production of tools aimed to improve the quality of life and work in environments where particular problems are evident.



PNR Headquarters - Voghera (Italy)



EASY SERIES

Environmentally friendly technology

The **EASY Series** machines stand out for the ease of use, low energy and water consumption; their reduced dimensions allow movement everywhere there's need to control and reduce dust and odours.

They find their natural application in demolitions and scrap yards, crushing plants, recycling plants of all kind of materials, road and excavation works and steel mills.

The "all included" proposal with pump, filtration system, rotation system, together with "easy to use" control panel, simplifies the **EASY Series** machines use making them operative only by connecting them to electricity and water supply obtaining a powerful and efficient spraying system.

The engineering, design and manufacturing quality control , attention to details as well as to components keeps **EASY Series** machines' value not affected by the lapse of time.



SANI-BOOST 10

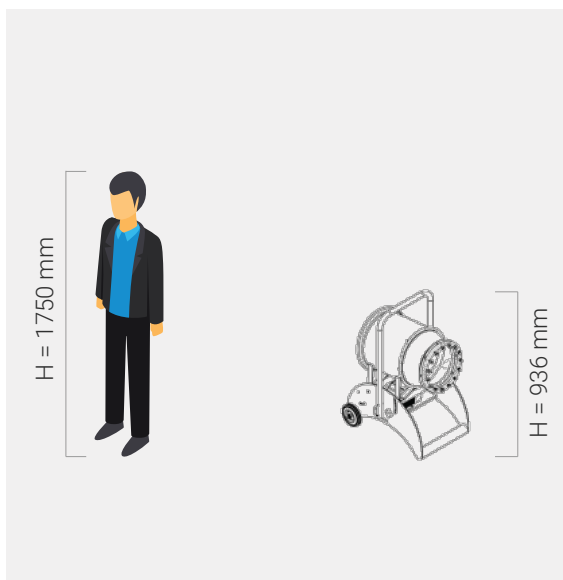
POWER 10



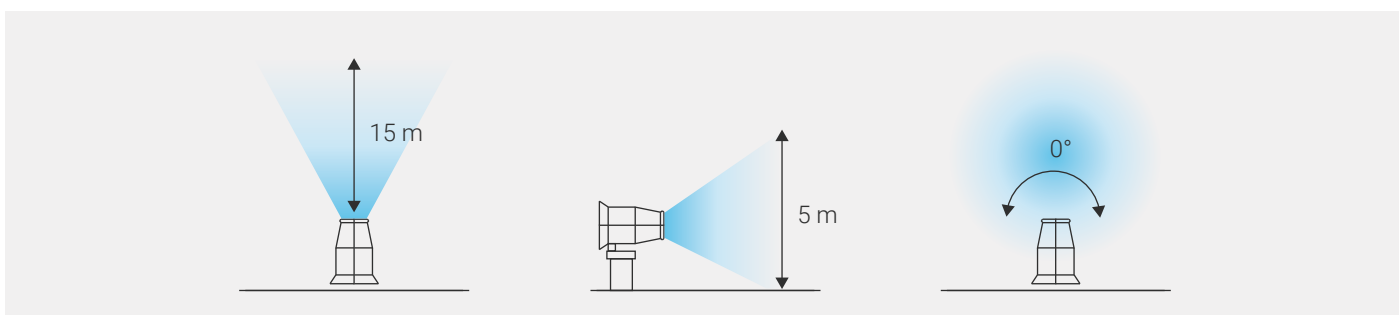
FEATURES

- Ideal for small demolitions
- Plug 220 Volts 16A
- Wheels for easy movement
- Lifting hook
- Comfortable handle grip
- Interchangeable nozzles for optimizing water flow

WATER CONSUMPTION WITH 10 GPH NOZZLES			
bar	2	4	6
L/min	2,82	4	5



TECHNICAL DATA	SANI-BOOST 10
Installed power	1,5 Kw
Fan power	0,750 Kw
Water pump power	0,750 Kw
Protection rating	IP55
Power supply	220-230 Volts - 50 Hz
Pitching	0-15°
Max throw distance	15 m
Noise level	< 93 Lwa
Dry weight	58 Kg
Dimensions (mm)	L = 810 H = 936 W = 555
Minimum pressure	1 bar



SANI-BOOST 40

POWER 40



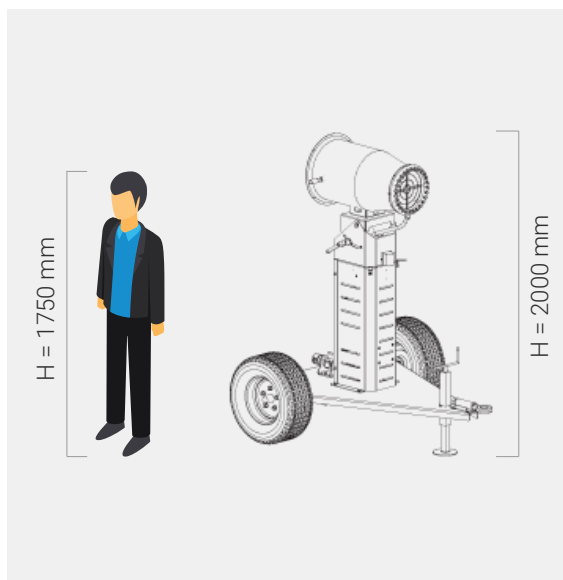
FEATURES

- Ideal for small demolitions
- Wheels for easy movement
- Tow hitch
- Lifting system by forklift
- Usable with remote control
- Interchangeable nozzles for optimizing water flow
- Electric rotation and solenoid valve water

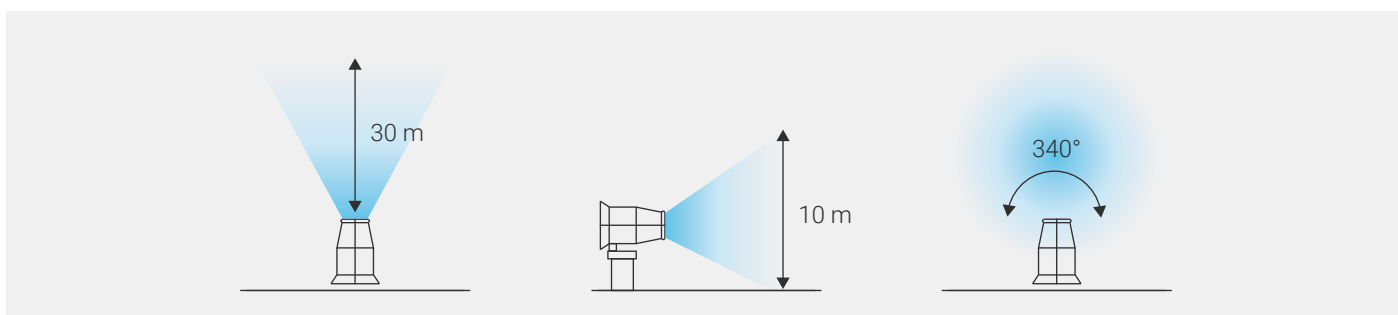


WATER CONSUMPTION WITH 10 GPH NOZZLES

bar	6	9	12	15
L/min	16	20	23	25



TECHNICAL DATA	SANI-BOOST 40
Installed power	6 Kw
Fan power	3 Kw
Water pump power	2,2 Kw
Protection rating	IP55
Power supply	16A 3P+(N)+T 400Volts 50Hz
Pitching	-20° +45°
Max throw distance	30 m
Noise level	< 93 Lwa
Dry weight	200 Kg
Dimensions (mm)	L = 1800 H = 2000 W = 1500
Minimum pressure	1 bar



SANI-BOOST 50

POWER 50

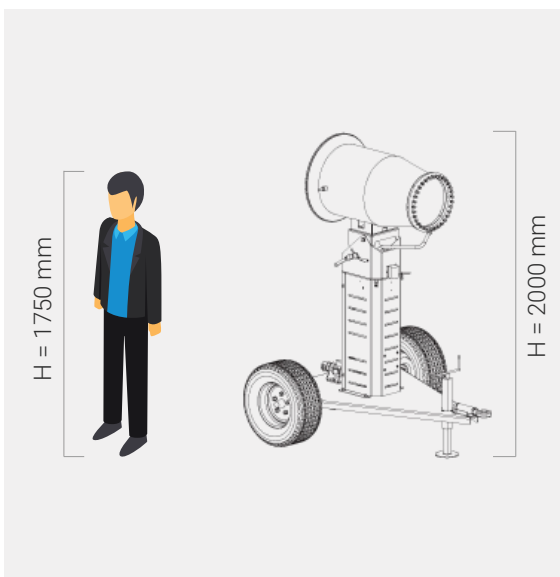


FEATURES

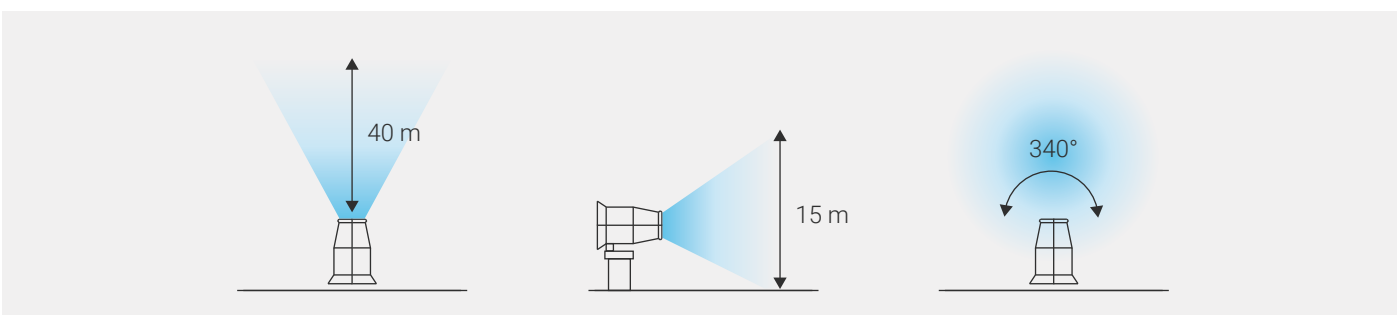
- Ideal for small demolitions
- Wheels for easy movement
- Tow hitch
- Lifting system by forklift
- Usable with remote control
- Interchangeable nozzles for optimizing water flow
- Electric rotation and solenoid valve water

WATER CONSUMPTION WITH 10 GPH NOZZLES

bar	6	9	12	15
L/min	20	24	28	31



TECHNICAL DATA	SANI-BOOST 50
Installed power	8 Kw
Fan power	5,5 Kw
Water pump power	2,2 Kw
Protection rating	IP55
Power supply	32A 3P+(N)+T 400Volts 50Hz
Pitching	-20° +45°
Max throw distance	40 m
Noise level	< 93 Lwa
Dry weight	240 Kg
Dimensions (mm)	L = 1800 H = 2000 W = 1500
Minimum pressure	1 bar





STRONG SERIES

Searching for total efficiency

Every single component of the **STRONG Series** system has been designed to carry out the most severe conditions of use such as working in quarries, mines, tunnels, large demolitions, mining parks, steel mills.

The multi-crown spraying system with stainless steel nozzles allows regulating the amount of water necessary to control and reduce dust and odours according to availability and water hardness.

Where size matters and where dust control is essential to work efficiently and safely, the **STRONG Series** cannons are the perfect answer to cover long distances.

The **STRONG Series** cannons powered from 5,5 Kw up to 90 Kw are used in mining parks, mines, ports and steel mills, where considerable power is needed to reach maximum performance and long distances.

The robust design and the steel and aluminium fans guarantee outstanding performances and don't fear dust and debris.

Power, performance and flexibility of use make the **STRONG Series** an exceptional performance machine.



SANI-BOOST 500 Pole

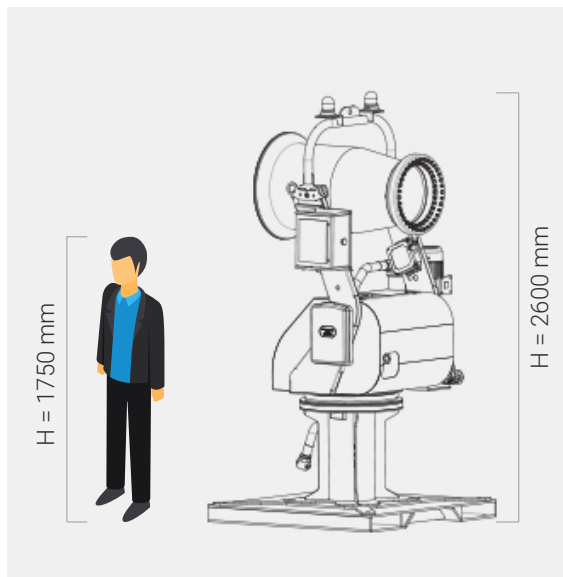
POWER 500



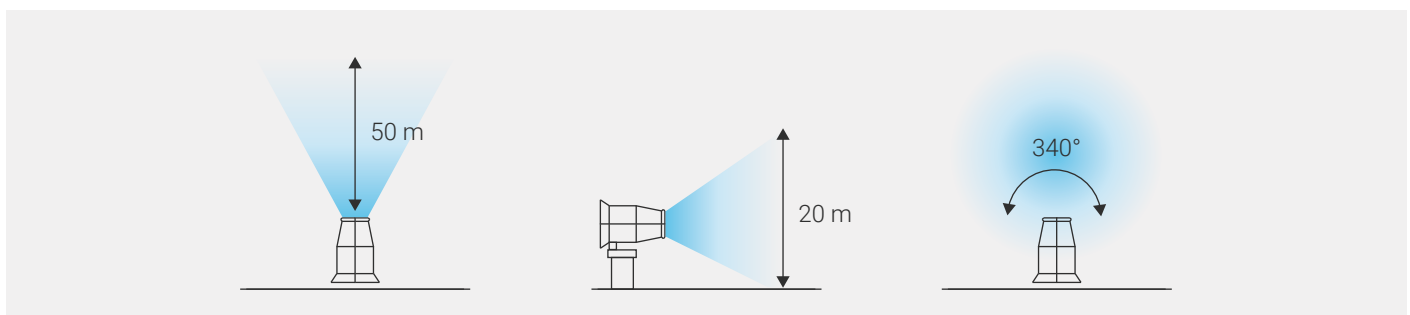
FEATURES

- Suitable for working in extreme conditions
- Base in galvanized iron for easy positioning
- High efficiency
- Water pump multistage stainless steel
- Variable water flow rate
- Angle of rotation can be set freely
- Time break labor management
- Water filter stainless steel
- Stainless steel nozzles
- Ready for centralized management software

WATER CONSUMPTION WITH 10-15 GPH NOZZLES				
bar	6	9	12	15
Min L/min	21	26	30	33
Max L/min	53	65	75	84



TECHNICAL DATA	SANI-BOOST 500 Pole
Installed power	8,7 Kw
Fan power	5,5 Kw
Water pump power	2,2 Kw
Protection rating	IP55
Power supply	32A 3P+(N)+T 400Volts 50Hz
Pitching	-20° +45°
Max throw distance	40 - 50 m
Noise level	< 93 Lwa
Dry weight	660 Kg
Dimensions (mm)	L = 1200 H = 2600 W = 1200
Minimum pressure	1 bar



SANI-BOOST 500 Trailer

POWER 500



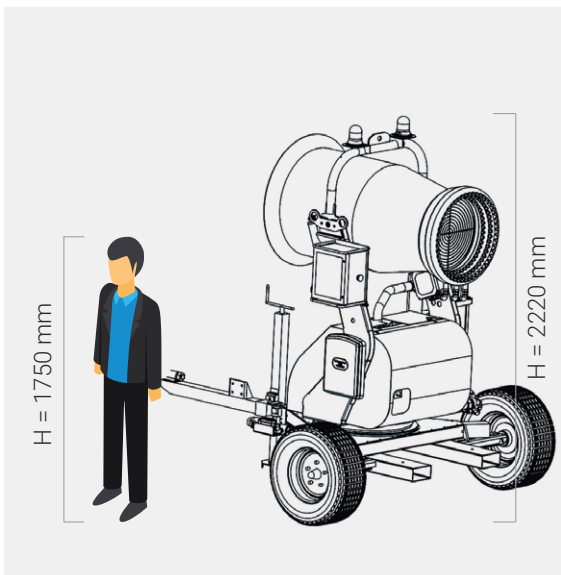
FEATURES

- Suitable for working in extreme conditions
- Machine on cart with large wheels section for easy movement on rough terrain
- High efficiency
- Water pump multistage stainless steel
- Variable water flow rate
- Angle of rotation can be set freely
- Time break labor management
- Water filter stainless steel
- Stainless steel nozzles
- Ready for centralized management software



WATER CONSUMPTION WITH 10-15 GPH NOZZLES

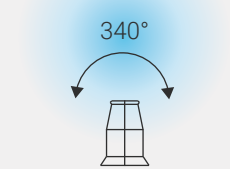
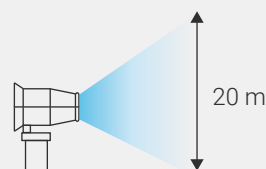
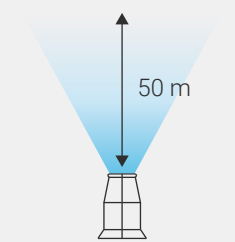
bar	6	9	12	15
Min L/min	21	26	30	33
Max L/min	53	65	75	84



TECHNICAL DATA

SANI-BOOST 500 Trailer

Installed power	8,7 Kw
Fan power	5,5 Kw
Water pump power	2,2 Kw
Protection rating	IP55
Power supply	32A 3P+(N)+T 400Volts 50Hz
Pitching	-20° +45°
Max throw distance	40 - 50 m
Noise level	< 93 Lwa
Dry weight	430 Kg
Dimensions (mm)	L = 2490 H = 2220 W = 1900
Minimum pressure	1 bar



SANI-BOOST 700 Pole

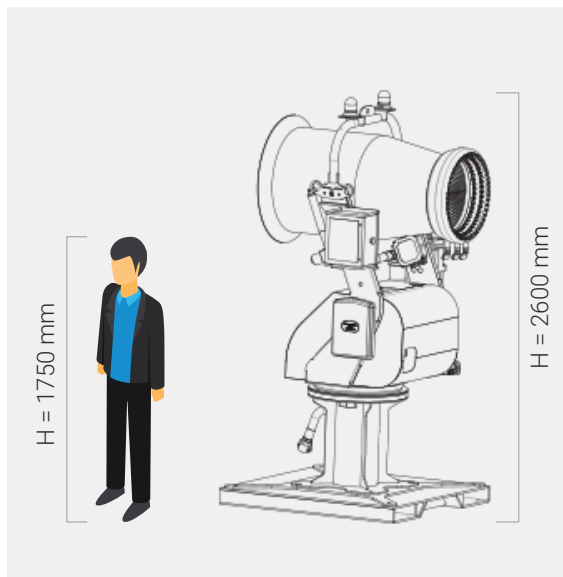
POWER 700



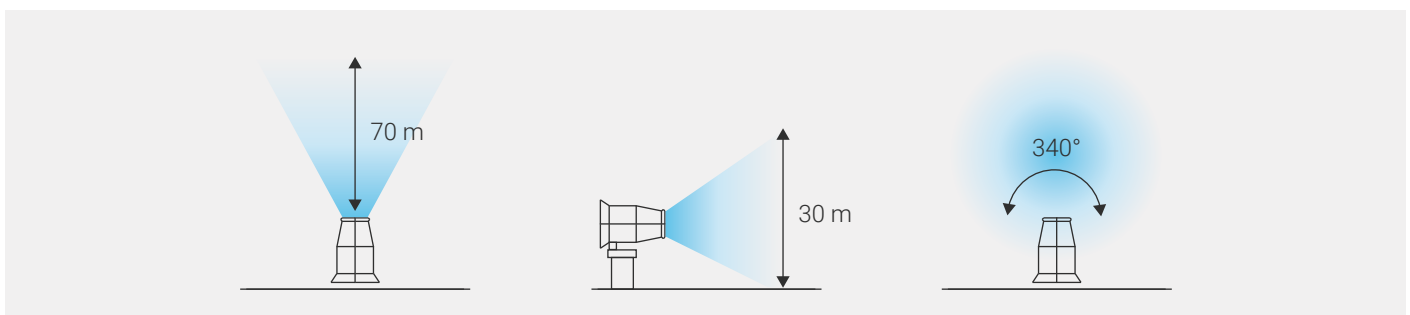
FEATURES

- Suitable for working in extreme conditions
- Base in galvanized iron for easy positioning
- High efficiency
- Water pump multistage stainless steel
- Variable water flow rate
- Angle of rotation can be set freely
- Time break labor management
- Water filter stainless steel
- Stainless steel nozzles
- Ready for centralized management software

WATER CONSUMPTION WITH 10-15 GPH NOZZLES				
bar	6	9	12	15
Min L/min	15	18	21	23
Max L/min	88	108	125	139



TECHNICAL DATA	SANI-BOOST 700 Pole
Installed power	16 Kw
Fan power	11 Kw
Water pump power	4 Kw
Protection rating	IP55
Power supply	63A 3P+(N)+T 400Volts 50Hz
Pitching	-20° +45°
Max throw distance	60 - 70 m
Noise level	< 93 Lwa
Dry weight	740 Kg
Dimensions (mm)	L = 1200 H = 2600 W = 1320
Minimum pressure	1 bar



SANI-BOOST 700 Trailer

POWER 700



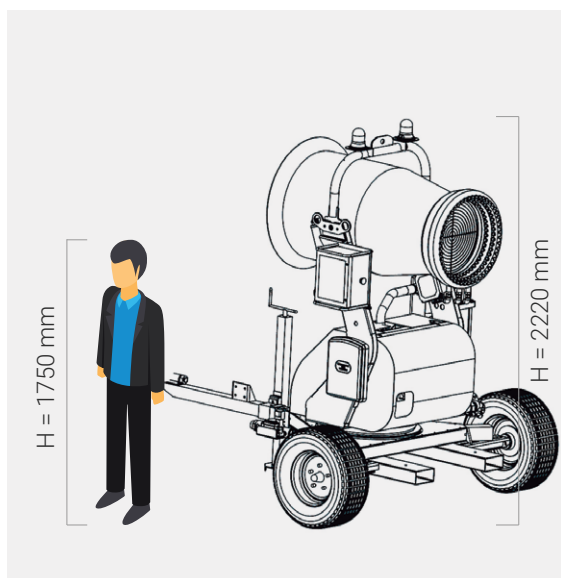
FEATURES

- Suitable for working in extreme conditions
- Machine on cart with large wheels section for easy movement on rough terrain
- High efficiency
- Water pump multistage stainless steel
- Variable water flow rate
- Angle of rotation can be set freely
- Time break labor management
- Water filter stainless steel
- Stainless steel nozzles
- Ready for centralized management software

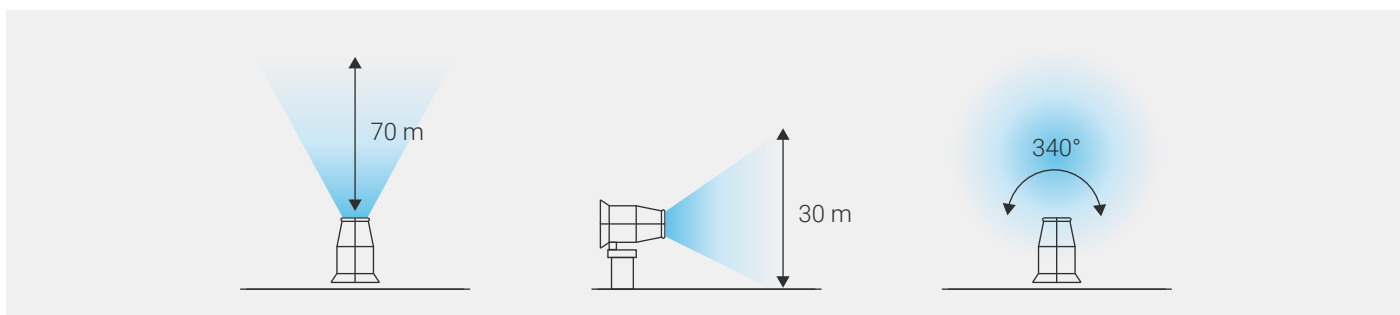


WATER CONSUMPTION WITH 10-15 GPH NOZZLES

bar	6	9	12	15
Min L/min	21	26	30	33
Max L/min	53	65	75	84



TECHNICAL DATA	SANI-BOOST 700 Trailer
Installed power	16 Kw
Fan power	11 Kw
Water pump power	4 Kw
Protection rating	IP55
Power supply	63A 3P+(N)+T 400Volts 50Hz
Pitching	-20° +45°
Max throw distance	60 - 70 m
Noise level	< 93 Lwa
Dry weight	510 Kg
Dimensions (mm)	L = 2490 H = 2220 W = 1900
Minimum pressure	1 bar



SANI-BOOST 718 Pole

POWER 718



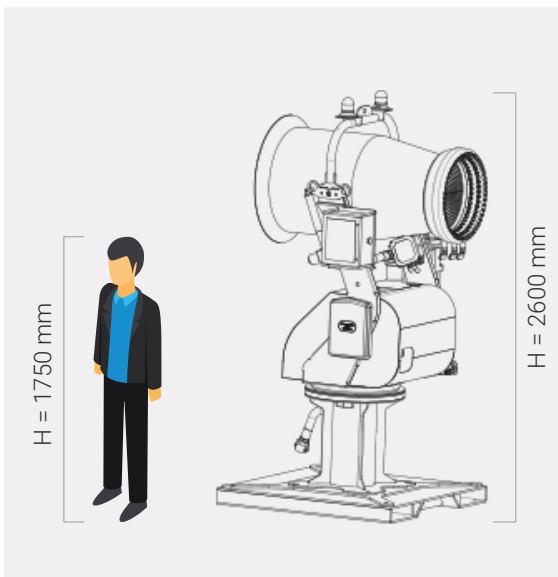
FEATURES

- Suitable for working in extreme conditions
- Base in galvanized iron for easy positioning
- High efficiency
- Water pump multistage stainless steel
- Variable water flow rate
- Angle of rotation can be set freely
- Time break labor management
- Water filter stainless steel
- Stainless steel nozzles
- Ready for centralized management software

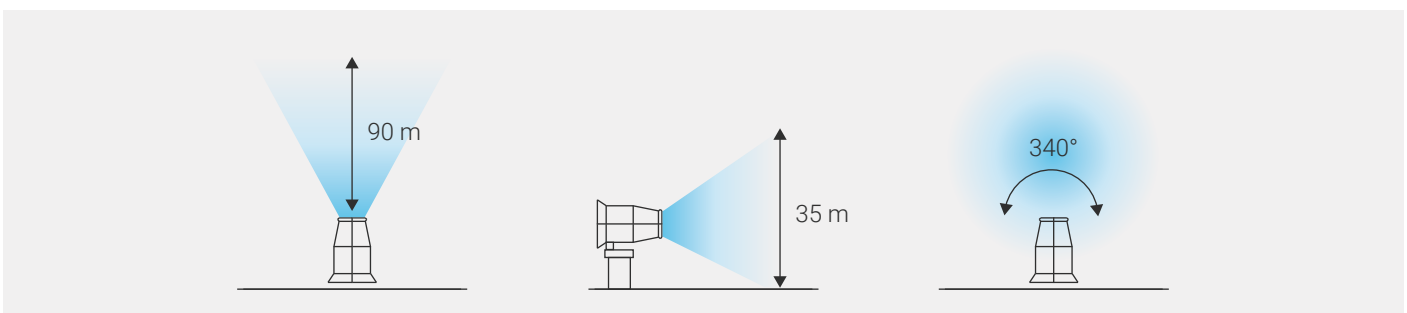


WATER CONSUMPTION WITH 5 - 10 -15 GPH NOZZLES

bar	6	9	12	15
Min L/min	15	18	21	23
Max L/min	88	108	125	139



TECHNICAL DATA	SANI-BOOST 718 Pole
Installed power	23,5 Kw
Fan power	18,5 Kw
Water pump power	4 Kw
Protection rating	IP55
Power supply	63A 3P+(N)+T 400Volts 50Hz
Pitching	-20° +45°
Max throw distance	80 - 90 m
Noise level	< 93 Lwa
Dry weight	780 Kg
Dimensions (mm)	L = 1200 H = 2600 W = 1320
Minimum pressure	1 bar



SANI-BOOST 718 Trailer

POWER 718

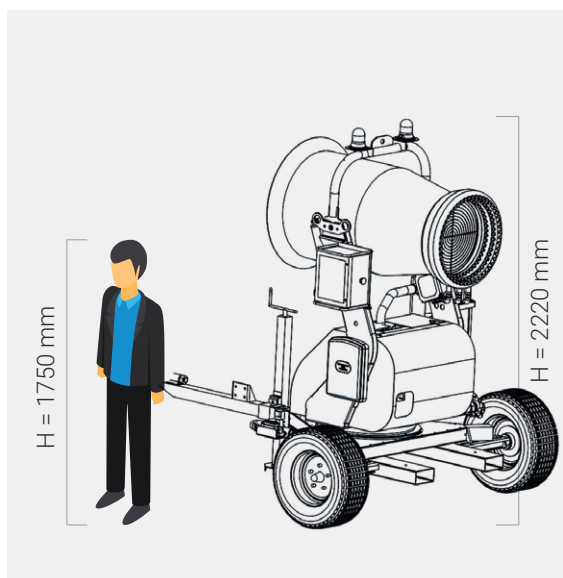


FEATURES

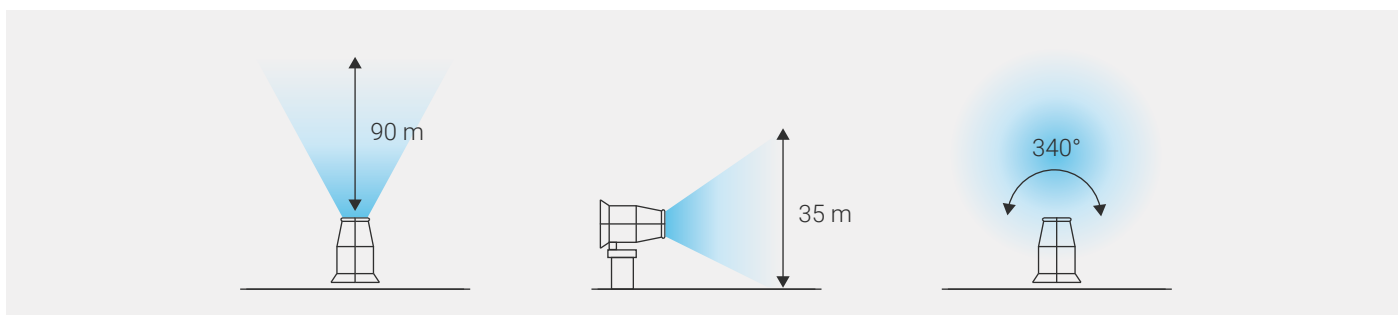
- Suitable for working in extreme conditions
- Machine on cart with large wheels section for easy movement on rough terrain
- High efficiency
- Water pump multistage stainless steel
- Variable water flow rate
- Angle of rotation can be set freely
- Time break labor management
- Water filter stainless steel
- Stainless steel nozzles
- Ready for centralized management software

WATER CONSUMPTION WITH 5 - 10 - 15 GPH NOZZLES

bar	6	9	12	15
Min L/min	15	18	21	23
Max L/min	88	108	125	139



TECHNICAL DATA	SANI-BOOST 718 Trailer
Installed power	23,5 Kw
Fan power	18,5 Kw
Water pump power	4 Kw
Protection rating	IP55
Power supply	63A 3P+(N)+T 400Volts 50Hz
Pitching	-20° +45°
Max throw distance	80 - 90 m
Noise level	< 93 Lwa
Dry weight	780 Kg
Dimensions (mm)	L = 2490 H = 2220 W = 1900
Minimum pressure	1 bar



SANI-BOOST 800

POWER 800



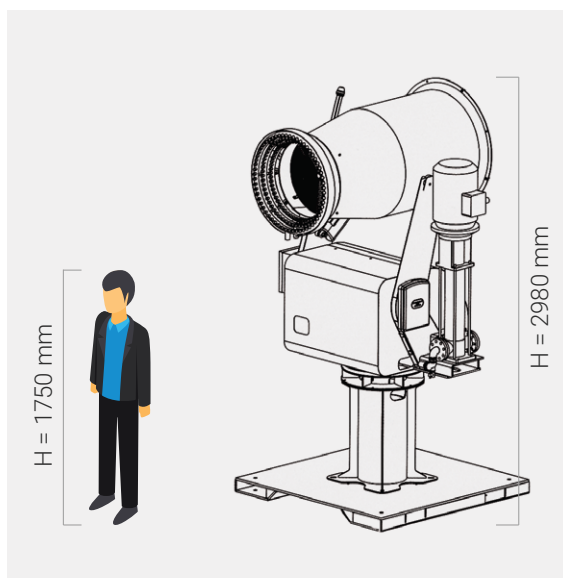
FEATURES

- Suitable for working in extreme conditions
- Base in galvanized iron for easy positioning
- High efficiency
- Water pump multistage stainless steel
- Variable water flow rate
- Angle of rotation can be set freely
- Time break labor management
- Water filter stainless steel
- Stainless steel nozzles
- Ready for centralized management software

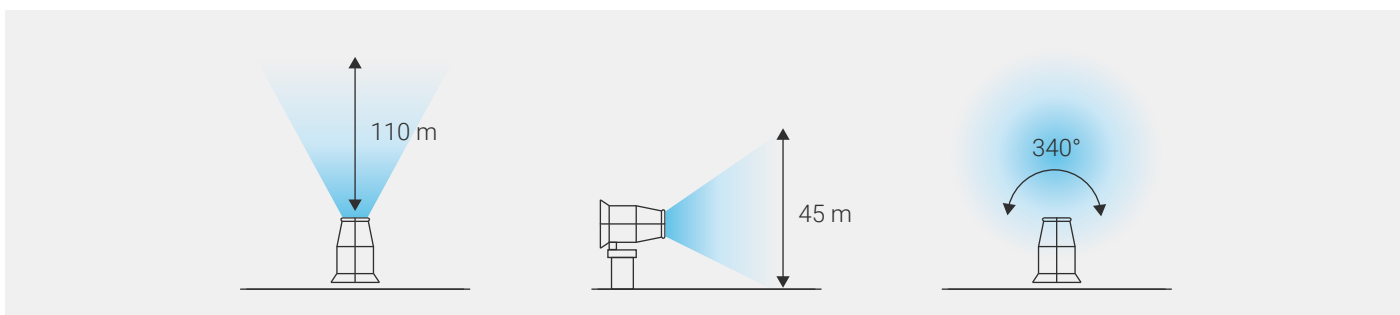


WATER CONSUMPTION WITH 10 - 15 -20 GPH NOZZLES

bar	6	9	12	15
Min L/min	23	30	34	38
Max L/min	107	132	152	170



TECHNICAL DATA	SANI-BOOST 800
Installed power	44 Kw
Fan power	30 Kw
Water pump power	11 Kw
Protection rating	IP55
Power supply	125A 3P+(N)+T 400Volts 50Hz
Pitching	-20° +45°
Max throw distance	100 - 110 m
Noise level	< 93 Lwa
Dry weight	1350 Kg
Dimensions (mm)	L = 1200 H = 2980 W = 1700
Minimum pressure	1 bar



SANI-BOOST 1200

POWER 1200



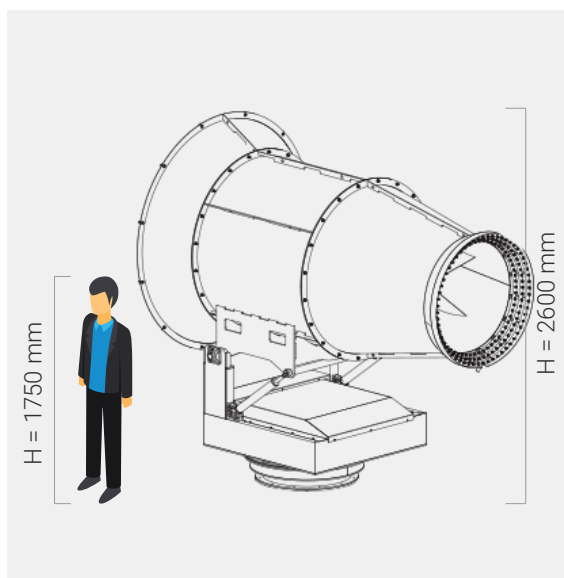
FEATURES

- Suitable for working in extreme conditions
- Machine installed on support tower
- High efficiency
- Water pump multistage stainless steel
- Variable water flow rate
- Angle of rotation can be set freely
- Time break labor management
- Water filter stainless steel
- Stainless steel nozzles
- Ready for centralized management software



WATER CONSUMPTION WITH 10 - 15 -20 GPH NOZZLES

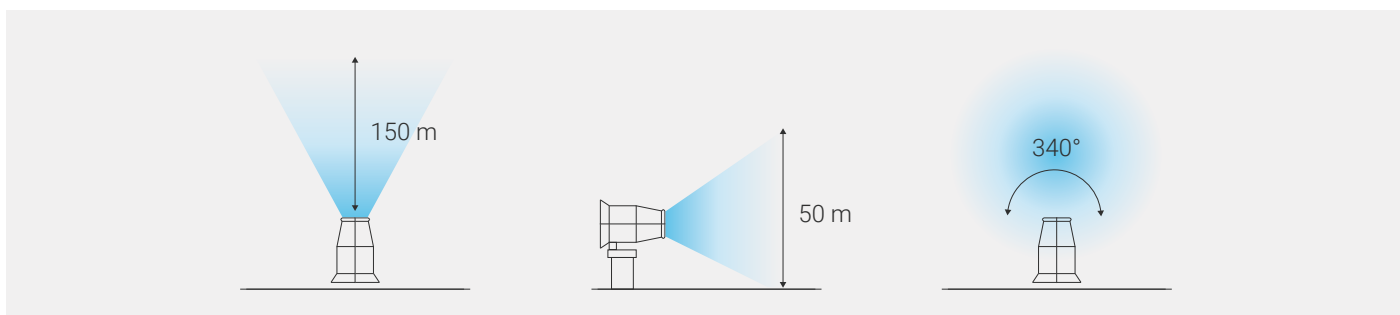
bar	6	9	12	15
Min L/min	23	30	34	38
Max L/min	107	132	152	170



TECHNICAL DATA

SANI-BOOST 1200

Installed power	110 Kw
Fan power	90 Kw
Water pump power	11 Kw
Protection rating	IP55
Power supply	250A 3P+(N)+T 400Volts 50Hz
Pitching	-20° +45°
Max throw distance	150 m
Noise level	< 93 Lwa
Dry weight	2780 Kg
Dimensions (mm)	L = 3200 H = 2600 W = 2600
Minimum pressure	1 bar



OUR EXPERIENCE

IN DUST SUPPRESSION



A GLOBAL PRESENCE ALL OVER THE WORLD.



Printed in EU 02/2020 - BRC DUS 01 EN - ©PNR Italia, all rights reserved



HEADQUARTERS:

PNR Italia srl Via Nenni/Gandini 27058 Voghera (PV) Italia

Phone +39 0383 344 611 Fax +39 0383 212 489

Email info@pnr.it For more info, visit www.pnr.eu