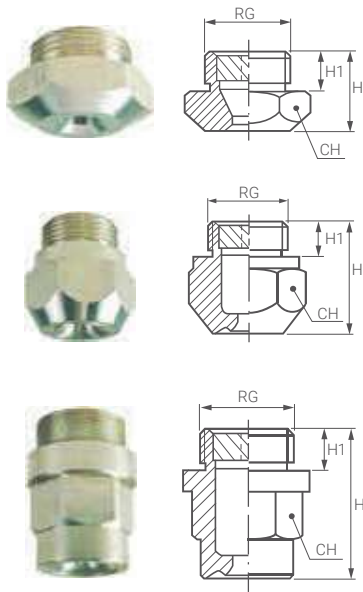


# AA ( FULL CONE NOZZLES / SHORT BODY )



## SLOTTED VANE

AA series full cone nozzles are made of body and slotted vane, for an even spray distribution. Their design allows them to be 35% shorter than other full cone nozzles. They are used in operating environments with a restricted space available and are cost-effective for the lower material quantity.

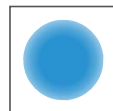
THREAD SIZE  
BSP, NPT (optional)

### TYPICAL APPLICATIONS

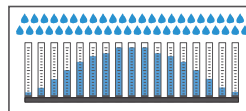
*Washing:* exhaust scrubbers washing, vehicle parts and gravel washing

*Cooling:* high-temperature cooling, vehicle parts cooling, tank cooling

*Other applications:* spray of chemicals, sea water desalinization



Spray section



Convex distribution



Spray Angle	CODE	RG inch	D mm	D1 mm	Capacity at different pressure values (l/min) (bar)							H mm	H1 mm	WS mm	
					0.5	0.7	1.0	2.0	3.0	5.0	7.0				10
90°	<b>AAU 2305 xx</b>	3/4"	6.1	3.0	12.5	14.7	17.6	24.9	30.5	39.4	46.6	55.7	22	10	32
	<b>AAU 2385 xx</b>		6.7	3.0	15.7	18.6	22.2	31.4	38.5	49.7	58.8	70.3			
	<b>AAU 2490 xx</b>		7.8	4.0	20.0	23.7	28.3	40.0	49.0	63.3	74.8	89.5			
	<b>AAU 2610 xx</b>	1"	9.0	4.0	24.9	29.5	35.2	49.8	61.0	78.7	93.2	111	27	12	40
	<b>AAU 2780 xx</b>		10.5	5.0	31.8	37.7	45.0	63.7	78.0	101	119	142			
	<b>AAU 3123 xx</b>	1 1/4"	12.5	6.0	50.2	59.4	71.0	100	123	159	188	225	30	14	50
	<b>AAU 3194 xx</b>	1 1/2"	16.0	6.0	79.2	93.7	112	158	194	250	296	354	35	16	60
	<b>AAU 3310 xx</b>	2"	20.0	7.0	127	150	179	253	310	400	474	566	45	18	75
	<b>AAU 3386 xx</b>		23.0	9.0	158	186	223	315	386	498	590	705			
	<b>AAU 3490 xx</b>	2 1/2"	25.0	12.0	200	237	283	400	490	633	748	895	52	22	90
<b>AAU 3610 xx</b>	28.5		13.0	249	295	352	498	610	788	932	1114				
<b>AAU 3775 xx</b>	3"	32.0	16.0	316	374	447	633	775	1001	1184	1415	60	24	110	
120°	<b>AAW 2490 xx</b>	3/4"	7.9	3.0	20.0	23.7	28.3	40.0	49.0	63.3	74.8	89.5	38	11	32
	<b>AAW 2780 xx</b>	1"	13.7	6.0	31.8	37.7	45.0	63.7	78.0	101	119	142	47	15	40
	<b>AAW 3123 xx</b>	1 1/4"	12.7	6.0	50.2	59.4	71.0	100	123	159	188	225	62	19	50
	<b>AAW 3194 xx</b>	1 1/2"	16.0	6.0	79.2	93.7	112	158	194	250	296	354	77	21	50
	<b>AAW 3310 xx</b>	2"	20.0	10.0	127	150	179	253	310	400	474	566	99	24	60
	<b>AAW 3386 xx</b>		22.7	10.0	158	186	223	315	386	498	590	705			
	<b>AAW 3490 xx</b>	2 1/2"	25.5	12.0	200	237	283	400	490	633	748	895	123	27	75
	<b>AAW 3610 xx</b>		30.0	13.0	249	295	352	498	610	788	932	1114			
<b>AAW 3775 xx</b>	3"	32.0	14.0	316	374	447	633	775	1001	1184	1415	150	30	85	



Slotted disc vane



AA nozzles design is ideally suited for plastic materials.

Slotted vane, so called for its spray section with 6 flows slots on its edge portion and one in the centre. These vanes produce high-speed rotation of pressurized liquids that flow into turbulence chambers where they are atomized. Slotted vanes provide an excellent atomization in a short time. Effective for cost-saving and in case of limited space.

MATERIAL	3/4"	1"	1 1/4"	1 1/2"	2"	2 1/2"	3"
<b>B31</b> - AISI 316L					•	•	•
<b>T1</b> - Brass	•						
<b>D1</b> - PVC	•	•	•	•	•	•	•

### HOW TO MAKE UP THE NOZZLE CODE

Ex.: AAU 2305 B31

