

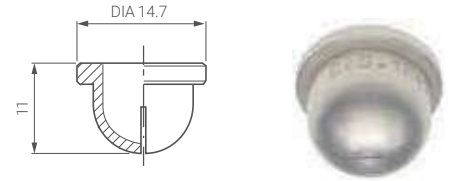
(AIR & STEAM FLAT FAN TIPS) **GZS**

AIR & STEAM FLAT FAN TIPS

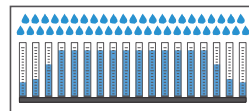
GZ air & steam flat fan tips are ideal for gas application. They are widely used in drying processes.

CONNECTION:
flanged nozzle tip

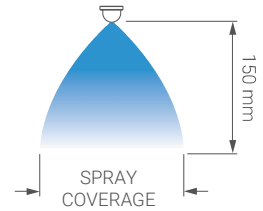
TYPICAL APPLICATIONS:
water removal from surfaces, flocks and water blow off



Spray section

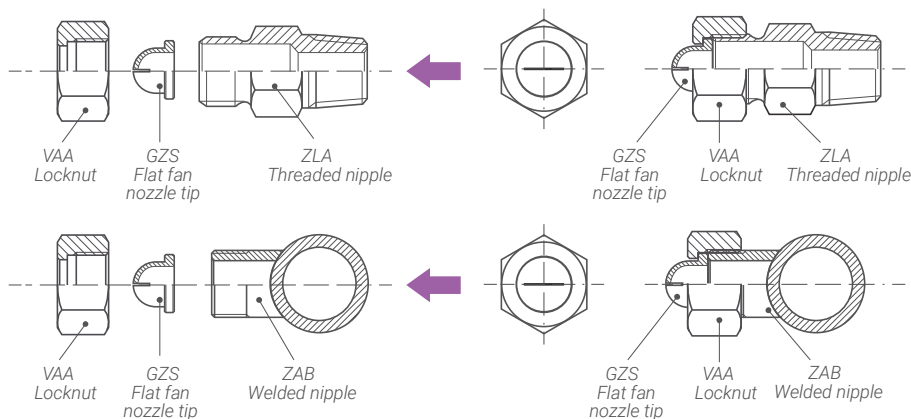


Uniform distribution



70°	CODE	D mm	Air capacity (Nm ³ /hour) at different pressure values (bar)				Steam capacity (kg/hour) at different pressure values (bar)				Spray coverage mm	
			0.5 bar	2.0 bar	5.0 bar	10 bar	0.5 bar	2.0 bar	5.0 bar	10 bar	2.0 bar	5.0 bar
	GZS 1300 xx	1.3	1.2	3.0	6.0	11.0	0.9	1.9	3.7	6.7	70	85
	GZS 1350 xx	1.5	2.0	3.5	7.1	12.6	1.0	2.1	4.1	7.7	72	87
	GZS 1500 xx	1.8	2.3	5.3	10.7	19.5	1.7	3.3	6.6	11.8	110	125
	GZS 1800 xx	2.1	3.2	8.0	16.0	29.0	2.5	5.0	9.9	18.0	115	140
	GZS 2150 xx	2.8	5.4	13.0	26.0	48.0	4.2	8.2	16.0	29.0	130	170
	GZS 2200 xx	3.6	8.9	21.7	43.3	79.4	6.8	13.6	27.0	48.0	140	180
	GZS 2315 xx	4.3	13.0	31.8	65.6	120.2	10.3	20.6	40.4	73.0	170	215

ASSEMBLY FITTINGS



HOW TO MAKE UP THE NOZZLE CODE

EX.: GZS 1300 B1

