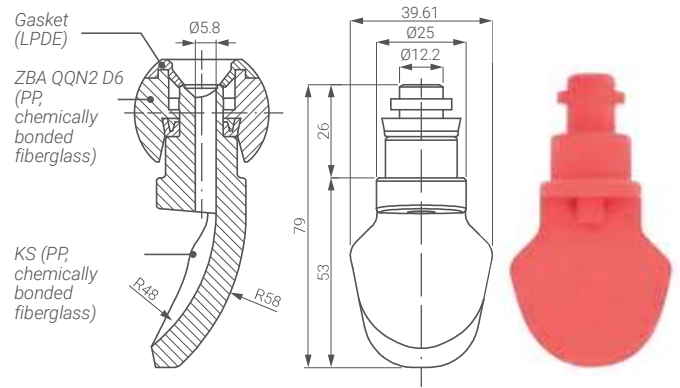


(FLAT FAN QUICK-FIT SPOON NOZZLES) **KS/QQ**

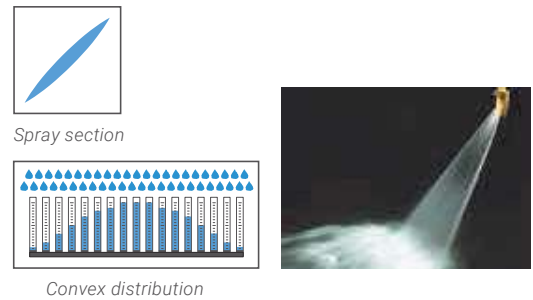
FLAT FAN QUICK-FIT SPOON NOZZLES

KS flat fan quick-fit spoon nozzles produce a flat spray pattern with a 50° or 60° deflection spray angle and offer the highest possible impact for a given feed pressure, up to 60° compared to standard turbulence flat fan nozzles. The innovative design ensures the ideal efficiency for deep cleaning and their quick connection makes them easy to assemble and avoids leakage. The different flow rates are identified by their colours available for proper selection. Materials are high quality PP and chemically bonded fibreglass to keep stability at high temperatures and be chemicals-resistant. These nozzles are widely used in surface pre-treatments.

MATERIAL **D6** PP, chemically bonded fiberglass
 TYPICAL APPLICATION Cleaning equipment used in pre-treatment for coating process



◁	CODE	Capacity at different pressure values (l/min) (bar)						Colour	W g
		0.5	0.7	1.0	1.5	2.0	3.0		
50°	KSN 2155 D6QQS	6.20	7.40	8.80	10.8	12.5	15.5	RED	23
	KSN 2195 D6QQS	7.80	9.20	11.0	13.5	15.6	19.5	GREEN	
	KSQ 2230 D6QQS	9.50	11.3	13.5	16.5	19.1	23.0	BLUE	
	KSQ 2270 D6QQS	10.9	12.8	15.4	18.8	21.7	27.0	SKY BLUE	
60°	KSQ 2337 D6QQS	13.9	16.4	19.6	24.0	27.7	33.7	WHITE	
	KSQ 2390 D6QQS	15.9	18.8	22.5	27.6	31.8	39.0	ORANGE	
	KSQ 2410 D6QQS	16.7	19.8	23.6	29.0	33.5	41.0	PINK	
	KSQ 2433 D6QQS	17.7	21.0	25.0	30.6	35.3	43.3	BROWN	

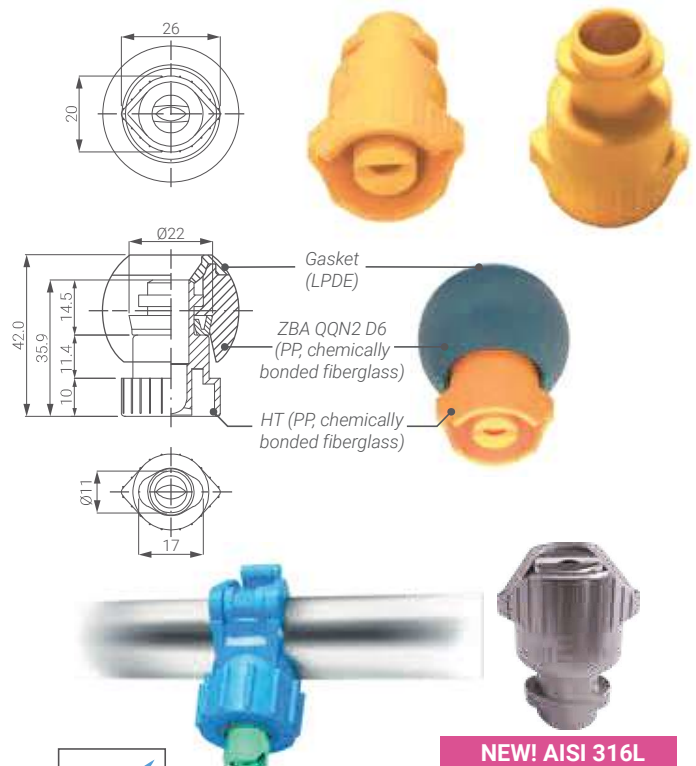
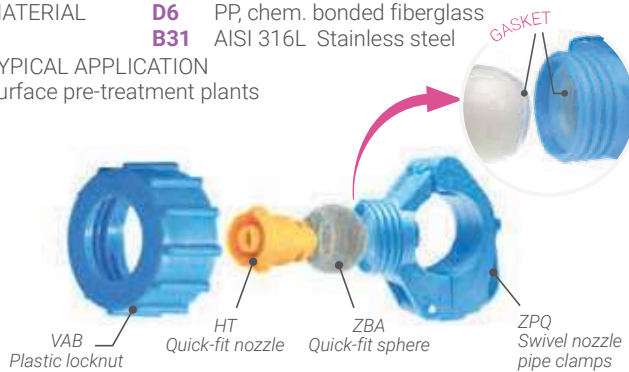


(FLAT FAN QUICK-FIT NOZZLES) **HT/QQ**

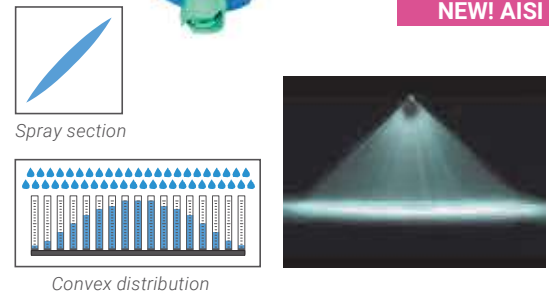
FLAT FAN QUICK-FIT NOZZLES

HTQ type flat fan quick-fit nozzles feature 60° spray angle and impact force for a given feed pressure. The new design offers the ideal efficiency for cleaning, quick-fit design for ease of assembly and seal that avoids leakage. Different flow rates are distinguished by color and available for selection. The materials are high quality PP, chemically bonded fiberglass in order to remain stable in high temperature and chemical attacks. They are widely used in surface pre-treatment.

SPRAY ANGLE 60°
 MATERIAL **D6** PP, chem. bonded fiberglass
B31 AISI 316L Stainless steel
 TYPICAL APPLICATION Surface pre-treatment plants



◁	CODE	Capacity at different pressure values (l/min) (bar)						Colour
		0.5	0.7	1.0	1.5	2.0	3.0	
60°	HTQ 1390 xxQQS	1.60	1.90	2.30	2.80	3.20	3.90	BLACK
	HTQ 1590 xxQQS	2.40	2.80	3.40	4.20	4.80	5.90	PURPLE
	HTQ 1780 xxQQS	3.20	3.80	4.50	5.50	6.40	7.80	LILAC
	HTQ 2117 xxQQS	4.80	5.70	6.80	8.30	9.60	11.7	YELLOW
	HTQ 2153 xxQQS	6.20	7.40	8.90	11.0	12.8	15.3	RED
	HTQ 2195 xxQQS	8.00	9.40	11.3	13.8	15.9	19.5	GREEN
	HTQ 2230 xxQQS	9.40	11.1	13.3	16.3	18.8	23.0	BLUE
	HTQ 2274 xxQQS	11.2	13.2	15.6	19.1	22.4	27.4	SKY BLUE



NEW! AISI 316L