

# TANK WASHING EQUIPMENT

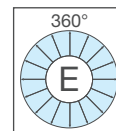
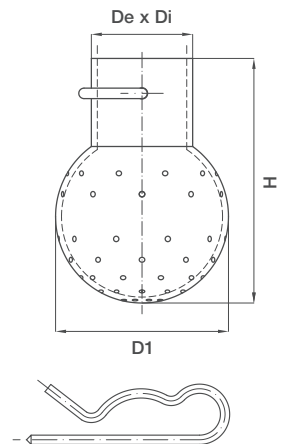
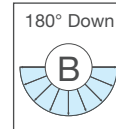
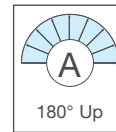
## Product Code

## FIXED HEADS

The codes in the table below refer to heads with different spray patterns and different clip connections. While the connection pipe of each head has the dimensions shown in the table, please note the product code differences according to the spray patterns, as indicated in the diagrams below. All our UAA heads have a flat upper side to assure cleaning action over the area around the inlet pipe.

### Clip-on connection

Code	De x Di mm	D1 mm	Capacity at different pressures				m <sup>3</sup> /h bar	H mm	WR m
			1.0	1.5	2.0	2.5			
UAA C012 B31AC	22.0 x 20.0	28	1.20	1.46	1.69	1.89	34	1.4	
UAA E023 B31AC		40	2.30	2.82	3.25	3.64	62	5.5	
UAA E030 B31AC		40	3.00	3.68	4.25	4.75	62	3.0	
UAA F034 B31AC		50	3.40	4.16	4.81	5.38	74	3.0	
UAA F047 B31AD	28.0 x 26.0	50	4.70	5.76	6.65	7.43	76	7.2	
UAA G053 B31AD		65	5.30	6.49	7.50	8.38	92	2.5	
UAA G093 B31AE	32.0 x 30.0	65	9.30	11.4	13.1	14.7	92	2.5	
UAA K134 B31AH	38.0 x 36.0	90	13.4	16.4	18.9	21.2	118	2.4	
UAA M102 B31AL	60.3 x 52.8	120	10.2	12.5	14.4	16.1	150	2.3	
UAA C014 B31BC	22.0 x 20.0	28	1.40	1.71	1.98	2.21	34	1.2	
UAA E023 B31BC		40	2.30	2.82	3.25	3.64	62	5.9	
UAA E031 B31BC		40	3.10	3.80	4.38	4.90	62	3.1	
UAA F032 B31BC		50	3.20	3.92	4.53	5.06	74	3.2	
UAA F047 B31BD	28.0 x 26.0	50	4.70	5.76	6.65	7.43	76	7.2	
UAA G055 B31BD		65	5.55	6.74	7.78	8.70	92	3.2	
UAA G105 B31BE	32.0 x 30.0	65	10.5	12.9	14.9	16.6	92	3.2	
UAA K159 B31BH	38.0 x 36.0	90	15.9	19.5	22.5	25.1	118	3.4	
UAA M089 B31BL	60.3 x 52.8	120	8.90	10.9	12.6	14.1	150	1.7	
UAA C018 B31EC	22.0 x 20.0	28	1.80	2.20	2.54	2.84	34	1.8	
UAA E038 B31EC		40	3.80	4.65	5.37	6.01	62	3.8	
UAA E051 B31EC		40	5.10	6.25	7.21	8.06	62	2.4	
UAA F055 B31EC		50	5.55	6.74	7.78	8.70	74	2.4	
UAA F072 B31ED	28.0 x 26.0	50	7.20	8.82	10.2	11.4	76	4.3	
UAA G086 B31ED		65	8.60	10.5	12.2	13.6	92	2.3	
UAA G179 B31EE	32.0 x 30.0	65	17.9	21.9	25.3	28.3	92	2.3	
UAA K242 B31EH	38.0 x 36.0	90	24.2	29.6	34.2	38.2	118	2.0	
UAA M190 B31EL	60.3 x 52.8	120	19.0	23.3	26.8	30.0	150	2.0	

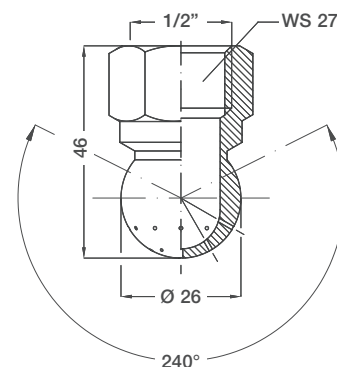


## UAB

UAB heads are very compact devices, for applications like pipe washing or for cleaning tight spaces. The thick walls of this device, which is machined from solid stainless steel rod, make it also a good choice where the washing process needs to be performed at high pressure values.

### Female BSP thread

Code	Dia mm	D mm	Capacity at different pressures				lpm bar
			2.0	3.0	4.0	5.0	
UAB 2220 xxSG	0.8	26	18.0	22.0	25.3	28.5	
UAB 2343 xxSG	1.0		28.0	34.3	39.5	44.3	
UAB 2700 xxSG	1.5		57.0	70.0	80.5	90.3	
UAB 3110 xxSG	2.0		90.0	110	126	142	
UAB 3145 xxSG	2.3		118	145	167	187	



Material B1 AISI 303 Stainless steel  
B31 AISI 316L Stainless steel