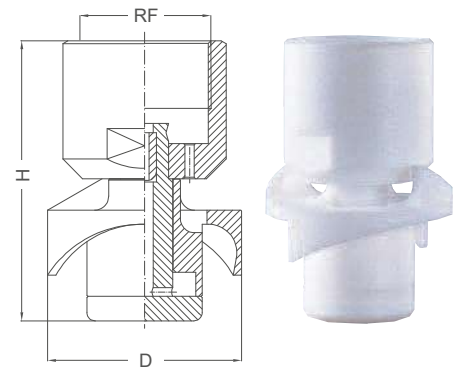


SINGLE AXIS HEADS

UBD A

REACTION DRIVE

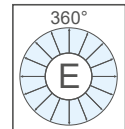
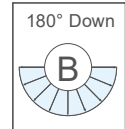
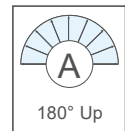
UBD A rotary heads are a simple but very efficient device for the inside cleaning of tanks. The rotary disk is rotated through the action of the cleaning fluid and produces a very dense spray which reaches all parts of the inside surface, it is the only mobile part of the unit and requires no servicing at all. No lubrication is required, and therefore no risk exists of contaminating your product with oil or grease. The device is not easily clogged tanks to a minimum internal passage of 2 mm dia, and will continue to operate even when feed holes are partially closed. Ideally suited for aggressive environments, it operates efficiently with all detergents and chemical solutions, in both closed and open tanks because available with 360 or 180 degrees spray patterns. UBD A models find their application in pharmaceutical, chemical and food industries, where pure PTFE complies with the requirements of FDA CFR21. Models made out of Graphite-filled PTFE do not allow for the build up static electricity and can be employed in atmospheres where an explosion risk occurs.



Materials E1 PTFE pure (FDA approved) LT 95° C
 E11 PTFE + 25% graphite
 D9 PEEK (FDA approved)

Thread connection

| Code | Capacity at different pressures | | | | | Spray coverage | | | RF BSP | | | | Size mm | |
|---------------|---------------------------------|------|------|------|------|----------------|------|------|--------|------|----|--------|---------|----|
| | 2,0 | 3,0 | 4,0 | 5,0 | 6,0 | 360 | 180U | 180D | 1/4" | 3/4" | 1" | 1-1/2" | H | D |
| UBD A035 xxEG | 28,6 | 35,0 | 40,5 | 45,2 | 49,5 | • | | | • | | | | 47 | 30 |
| UBD A051 xxEG | 41,2 | 50,0 | 57,4 | 63,9 | 69,7 | • | | | | • | | | 55 | 40 |
| UBD A090 xxEG | 73,5 | 90,0 | 104 | 116 | 127 | • | | | | • | | | 49 | 40 |
| UBD A090 xxAG | 73,5 | 90,0 | 104 | 116 | 127 | | • | | | • | | | | |
| UBD A090 xxBG | 73,5 | 90,0 | 104 | 116 | 127 | | | • | | • | | | 75 | 50 |
| UBD A140 xxEG | 114 | 140 | 162 | 180 | 198 | • | | | | | • | | | |
| UBD A140 xxAG | 114 | 140 | 162 | 180 | 198 | | • | | | | • | | | |
| UBD A140 xxBG | 114 | 140 | 162 | 180 | 198 | | | • | | | • | | 100 | 70 |
| UBD A210 xxEG | 171 | 210 | 243 | 271 | 296 | • | | | | | | • | | |
| UBD A210 xxAG | 171 | 210 | 243 | 271 | 296 | | • | | | | | • | | |
| UBD A210 xxBG | 171 | 210 | 243 | 271 | 296 | | | • | | | | • | | |

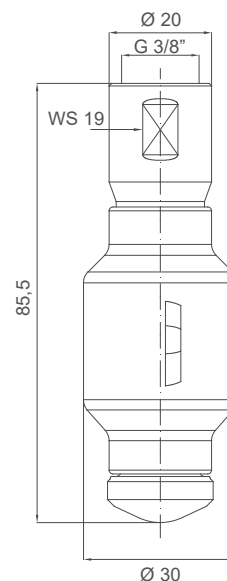
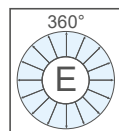


UBD S

Reaction drive mono-axial head UBD S035 B31EG is totally realized in AISI 316L stainless steel. Moreover, no lubrication is needed, therefore there is no risk of contamination with oils: this product is suitable in applications in food, pharmaceutical and chemical industries.

It has a low capacity and low angular velocity, so it is perfect for washing small and medium size tanks that require longer washing cycles. The easy and strong design, and high quality structure assure a long service and a high efficiency.

Materials B31 AISI 316L s.s.
 Connection 3/8" Female BSP
 LT 95° C



| Code | Capacity at different pressures | | | | | |
|--------------------|---------------------------------|-----|------|------|-----|-----|
| | 2,0 | 3,0 | 5,0 | 7,0 | 10 | 12 |
| UBD S013 B31E...CA | 11 | 13 | 17 | 20 | 24 | 26 |
| UBD S018 B31E...CA | 15 | 18 | 23,3 | 27,5 | 33 | 36 |
| UBD S040 B31E...CA | 33 | 40 | 51,6 | 61 | 73 | 80 |
| UBD S056 B31E...CA | 46 | 56 | 72 | 85,5 | 102 | 112 |