

# UBT

The UBT series tank wash heads are very sophisticated devices, designed with a robust structure and constructed with the latest technology to allow for high performance and providing excellent disinfection after each wash cycle. These characteristics are ideal for the automatic cleaning of industrial tanks and vessels. The nozzle movement is operated through an internal epicyclical gear reducer which enables to drive the jet paths according to a preset grid over the tank surface, providing a perfect cleaning of every single area inside the tank. Each side hub is equipped with two nozzles.

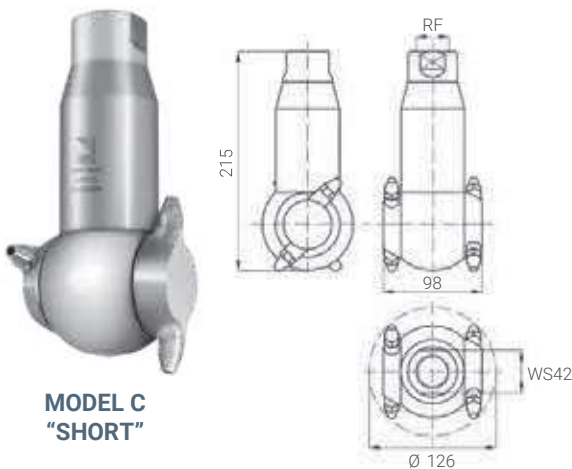
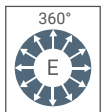
Depending on the application, two different types of nozzle can be used:

- Short nozzle: length 20 mm (Model C)
- Long nozzle: length 50 mm (Model L)

Each side hub is equipped with two nozzles whose orifice diameter determines the total water flow rate.

OPERATING CONDITIONS:	LT	90°C	MATERIAL:	METAL PARTS	AISI 316L STAINLESS STEEL
	LP	10 BAR		SEALS	CPTFE TEFLON + GRAFITE
			OTHER MINOR PARTS	PEEK	

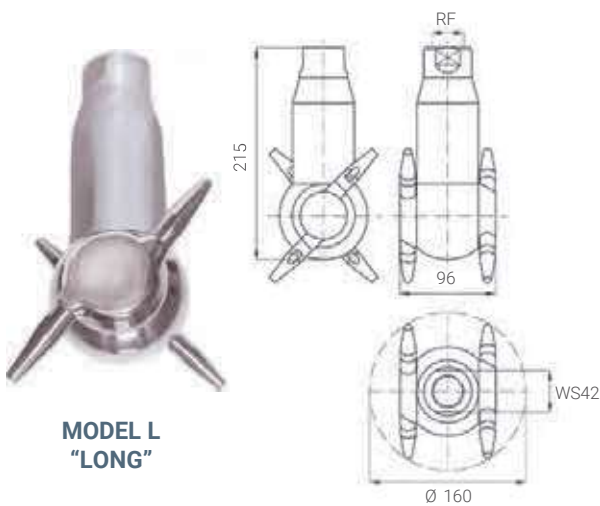
CONNECTION: FEMALE BSPP THREAD (ISO 228)



**MODEL C  
"SHORT"**

CODE	Ø mm	RF BSPP	Capacity at different pressures						l/min bar	Weight Kg
			4,0	5,0	6,0	7,0	8,0	9,0		
UBT S445 B31CG	6,0	1"	88	92	100	108	115	121	130	3,6
UBT S445 B31LG			88	92	100	108	115	121	130	
UBT S460 B31CG			115	120	130	138	150	158	162	
UBT S460 B31LG			115	120	130	138	150	158	162	

To order the required product, please note that:  
 a) second to last letter "C" indicates the Model C (short nozzle);  
 b) second to last letter "L" indicates the Model L (long nozzle).  
 Ø is the nozzle diameter.

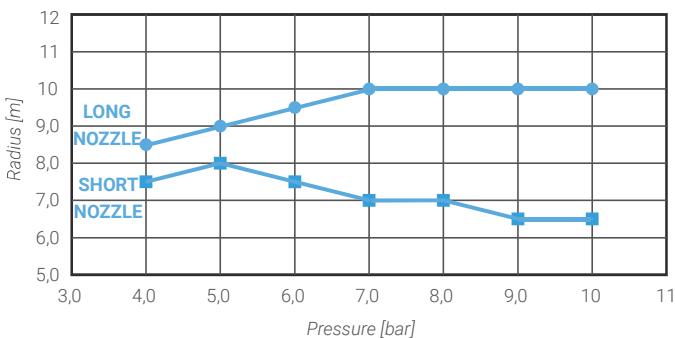


**MODEL L  
"LONG"**

In order to avoid problems with the device (such as breaking), we suggest to you filtered water. PNR Italia suggests a filter with at least 60 mesh, such as VEM 0100 V1 (see next page for further information).



WETTING RADIUS UBT S445



WETTING RADIUS UBT S460

