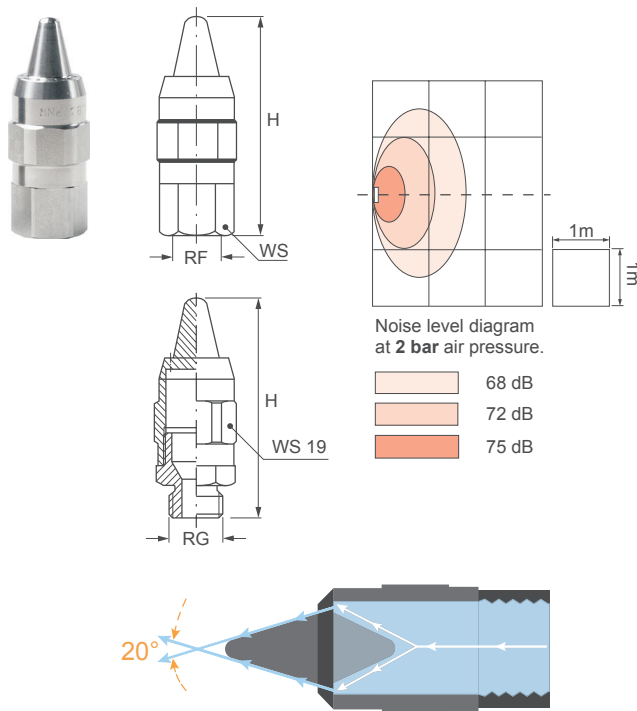


# UEA D020 (FULL CONE NOZZLES)



## AIR BLOW-OFF NOZZLES · ROUND JET

UEA D020 compressed air blowing nozzles produce a powerful air jet concentrated on a well defined impact point. They are specially designed for deep and blind holes drying, produce lower noise and reduce pressure loss.

- Thread size 1/4"
- Thread specification BSP, NPT
- Material **V7** Aluminium, electroless nickel plated  
**B31** AISI 316L Stainless steel
- Typical applications Water removal from surfaces  
Flocks and water blow off

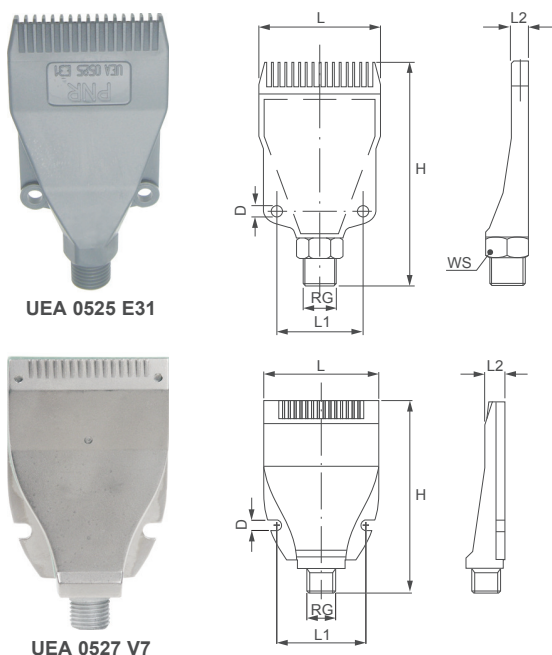
Code	RF inch	Air capacity (Nm <sup>3</sup> /hour) at different pressure values (bar)					H mm	WS mm
		2.0	3.0	4.0	5.0	6.0		
UEA D020 xx yy	1/4"	15	20	25	31	35	55	17

### HOW TO MAKE UP THE NOZZLE CODE EX.: UEA D020 B31SG



These air blowers meet the requirements of American OSHA regulations

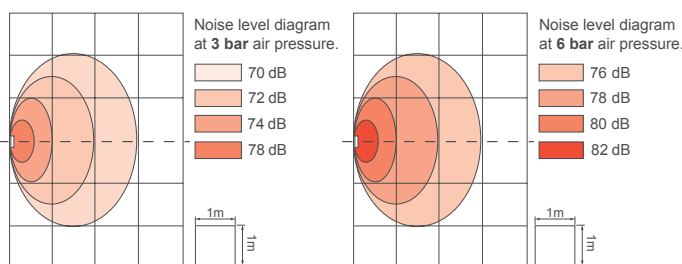
# UEA 0525 / 0527 (AIR BLOWERS - FLAT FAN)



## AIR BLOWERS - FLAT FAN

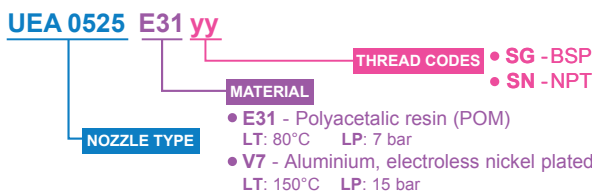
UEA series compressed air blowers are the best choice for operating environments requiring strong impact laminar sprays. The compressed air flow is blown through 16 orifices producing a strong impact jet, limited noise level and uniform spray. They are suitable to be installed on moving conveyors.

- Thread size 1/4"
- Thread specification BSPT, NPT
- Material **E31** Polyacetalic resin (POM)  
**V7** Aluminium, electroless nickel plated
- Typical applications Water removal from surfaces  
Flocks and water blow off



Code	RG inch	Air capacity (Nm <sup>3</sup> /hour) at different pressure values (bar)					H mm	L mm	L1 mm	L2 mm	D mm	WS mm
		1.0	2.0	3.0	4.0	5.0						
UEA 0525 E31 yy	1/4"	10	17	22	28	33	90.0	48	35	6.5	4.5	16
UEA 0527 V7 yy	1/4"	10	17	22	28	33	86.5	51	40	9.0	5.1	17

### HOW TO MAKE UP THE NOZZLE CODE EX.: UEA 0525 E31SG



These air blowers meet the requirements of American OSHA regulations