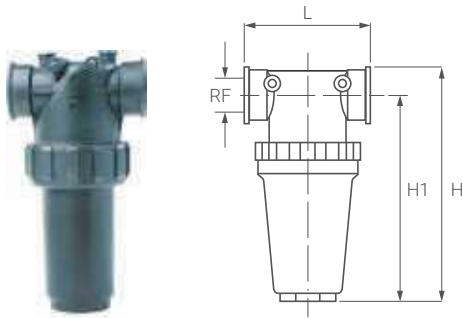


VEH (PLASTIC BODY FILTERS)



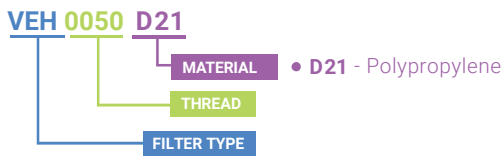
PLASTIC BODY FILTERS

VEH filters with plastic body are a rational and economic solution for most operating environments. The threaded coupling between bowl and head allows a quick filter cleaning and easy replacement of the cartridge and no need of tools. They have a high particles retention and are durable.

INLET/OUTLET THREAD SIZE 1/2", 3/4", 1", 1 1/4", 1 1/2"
 MAX STEAM PRESSURE LP from 10 bar to 15 bar
 CAPACITY LQ 250 l/min
 MATERIAL Body **D6** Polypropylene + 30% Glass fiber
 Seal **E0** EPDM
 Cartridge **B2** AISI 304 Stainless Steel

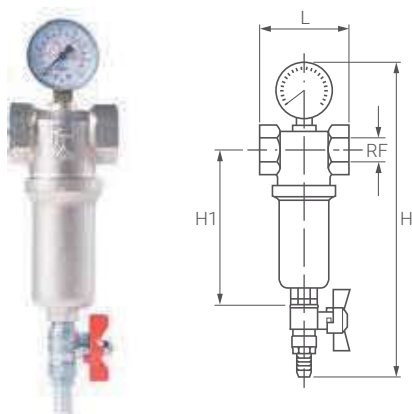
TYPICAL APPLICATION Filtering before spraying liquids

HOW TO MAKE UP THE FILTER CODE EX.: VEH 0050 D21



| CODE | RF inch BSPP | H mm | H1 mm | L mm | Q l/min | Cartridge | M mesh |
|--------------|--------------|------|-------|------|---------|--------------|--------|
| VEH 0050 D21 | 1/2" | 136 | 118 | 99 | 140 | XVE H050 DA2 | 32 |
| VEH 0051 D21 | | | | | | XVE H051 DA2 | 50 |
| VEH 0052 D21 | | | | | | XVE H052 DA2 | 100 |
| VEH 0075 D21 | 3/4" | 136 | 118 | 99 | 140 | XVE H050 DA2 | 32 |
| VEH 0076 D21 | | | | | | XVE H051 DA2 | 50 |
| VEH 0077 D21 | | | | | | XVE H052 DA2 | 100 |
| VEH 0100 D21 | 1" | 165 | 143 | 107 | 140 | XVE H053 DA2 | 32 |
| VEH 0101 D21 | | | | | | XVE H054 DA2 | 50 |
| VEH 0102 D21 | | | | | | XVE H055 DA2 | 100 |
| VEH 0125 D21 | 1 1/4" | 279 | 239 | 146 | 250 | XVE H060 DA2 | 32 |
| VEH 0126 D21 | | | | | | XVE H061 DA2 | 50 |
| VEH 0127 D21 | | | | | | XVE H062 DA2 | 100 |
| VEH 0150 D21 | 1 1/2" | 279 | 239 | 146 | 250 | XVE H060 DA2 | 32 |
| VEH 0151 D21 | | | | | | XVE H061 DA2 | 50 |
| VEH 0152 D21 | | | | | | XVE H062 DA2 | 100 |

VEL (BRASS BODY FILTERS)



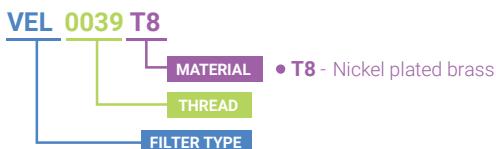
BRASS BODY FILTERS

VEL type filters with body in brass are the ideal solution for small plants requiring easy cleaning and maintenance. When necessary, simply open the valve at the bottom of the filter and the dirt contained inside the cartridge is easily expelled. A manometer on the filter head shows the outlet pressure hence pressure drop when clogged.

INLET/OUTLET THREAD SIZE 1/2", 3/4", 1", 1 1/4", 1 1/2", 2"
 MAX OPERATION TEMPERATURE LT 100°C
 MAX STEAM PRESSURE LP 16 bar
 MATERIAL BODY **T8** Nickel plated brass
 CARTRIDGE **B2** AISI 304 Stainless Steel

TYPICAL APPLICATION Filtering before spraying liquids

HOW TO MAKE UP THE FILTER CODE EX.: VEL 0039 T8



| CODE | RF inch BSPP | H mm | H1 mm | L mm | Q l/min | Cartridge | M mesh |
|-------------|--------------|------|-------|------|---------|-------------|--------|
| VEL 0039 T8 | 3/8" | 285 | 133 | 50 | 14 | XVE L171 B2 | 150 |
| VEL 0051 T8 | 1/2" | 288 | 136 | 56 | 25 | | |
| VEL 0076 T8 | 3/4" | 287 | 132 | 67 | 38 | XVE L172 B2 | |
| VEL 0101 T8 | 1" | 295 | 137 | 80 | 72 | | |
| VEL 0126 T8 | 1 1/4" | 343 | 169 | 92 | 118 | XVE L200 B2 | |
| VEL 0151 T8 | 1 1/2" | 356 | 179 | 110 | 178 | XVE L201 B2 | |
| VEL 0201 T8 | 2" | 362 | 179 | 110 | 213 | | |