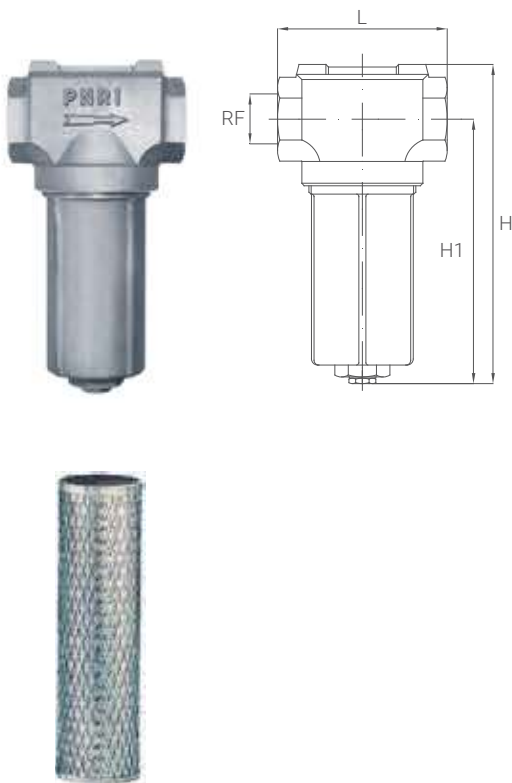


VEM

VEM filters have been designed for high efficiency and ease of maintenance under hard conditions. The bowl houses large size cartridges, to extend periods of operation and reduce maintenance time, and has a thread connection to the body for quick removal without the aid of tools. Finally, a plug at the bottom of the bowl allows for fitting a ball valve to bleed the filter.

MATERIAL:	BODY	V1	ALUMINIUM CASTING
	BOWL	V1	ALUMINIUM CASTING
	CARTRIDGE	B2	AISI 304 STAINLESS STEEL
	CAP	A8	ZINC-COATED STEEL
	SEAL	E0	EPDM



CODE	RF inch BSP	H mm	H1 mm	L mm	LP bar	Q l/min	Cartridge	M mesh	W kg
VEM 0050 V1 VEM 0051 V1	1/2"	213	168	105	40	70	XVE M075 B2 XVE M076 B2	60 80	0,9
VEM 0075 V1 VEM 0076 V1	3/4"	213	168	105	40	95	XVE M075 B2 XVE M076 B2	60 80	
VEM 0100 V1 VEM 0101 V1 VEM 0102 V1	1"	213	168	105	40	140	XVE M075 B2 XVE M076 B2 XVE M077 B2	60 80 100	
VEM 0125 V1 VEM 0126 V1	1-1/4"	278	233	140	30	280	XVE M150 B2 XVE M151 B2	60 80	1,6
VEM 0150 V1 VEM 0151 V1	1-1/2"	278	233	140	30	315	XVE M150 B2 XVE M151 B2	60 80	
VEM 0200 V1 VEM 0201 V1 VEM 0202 V1	2"	401	327	200	10	750	XVE M300 B2 XVE M301 B2 XVE M302 B2	30 60 80	5,6
VEM 0250 V1 VEM 0251 V1 VEM 0252 V1	2-1/2"	401	327	200	10	810	XVE M300 B2 XVE M301 B2 XVE M302 B2	30 60 80	
VEM 0300 V1 VEM 0301 V1 VEM 0302 V1	3"	401	327	200	10	1050	XVE M300 B2 XVE M301 B2 XVE M302 B2	30 60 80	

FILTER CARTRIDGE

In the table, you find the code of the cartridges available for every filter. The column "M" near the cartridge code show the value of filtration, in number of mesh.

MESH number	Free passage mm
30	0,60
60	0,25
80	0,18
100	0,15