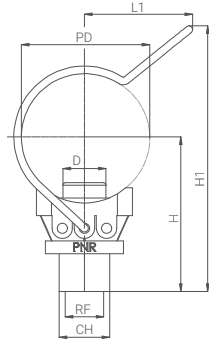


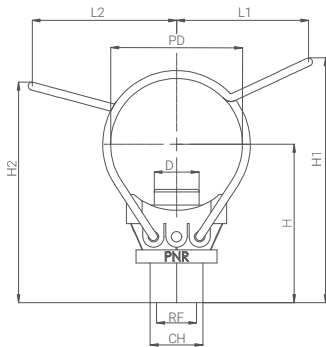
# ZPN ( SPRING PIPE CLAMPS )



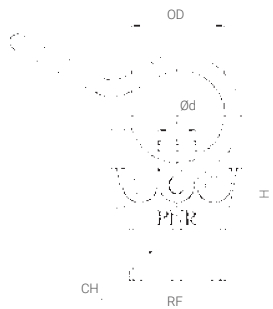
ZPN Single spring



ZPN Double spring  
Better stability



ZPN MINI Single spring



## SPRING PIPE CLAMPS

ZPN spring clamps provide quick connection of 3/8" and 1/2" male threaded nozzles to 1 1/2" pipes. Geometrical characteristics of ZPN are same as ZPL in connection pipe side. Single or double spring versions are available. ZPN pipe clamps are widely used in pre-treatment for coating process.

TYPICAL APPLICATION	Cleaning equipment used in pre-treatment for coating process
MAX WORKING TEMPERATURE	LT 90°C
MAX WORKING PRESSURE	Single spring 3 bar Double spring 7 bar
MATERIAL	Body <b>D6</b> PP, chemically bonded fiberglass Spring <b>N1</b> AISI 302 Stainless Steel <b>B31</b> AISI 316L Stainless Steel O-ring <b>E8</b> NBR

## MINI SPRING PIPE CLAMPS

ZPN MINI spring clamps provide quick connection of 1/8", 1/4", 3/8" and 1/2" female threaded to 1/2", 3/4" and 1" pipes. It's enough make one hole on pipe, insert the clamp with the seal and fix to pipe with the spring. Up to now, only single spring model is available. Models are made of different colours, depending on pipe size (yellow clamp for pipe size 1/2", green clamp for pipe size 3/4", blue clamp for pipe size 1").

TYPICAL APPLICATION	Cleaning equipment used in pre-treatment for coating process
MAX WORKING TEMPERATURE	LT 90°C
MAX WORKING PRESSURE	LP 5 bar
MATERIAL	Body <b>D6</b> PP, chemically bonded fiberglass Spring <b>B3</b> AISI 316 Stainless Steel O-ring <b>E8</b> NBR

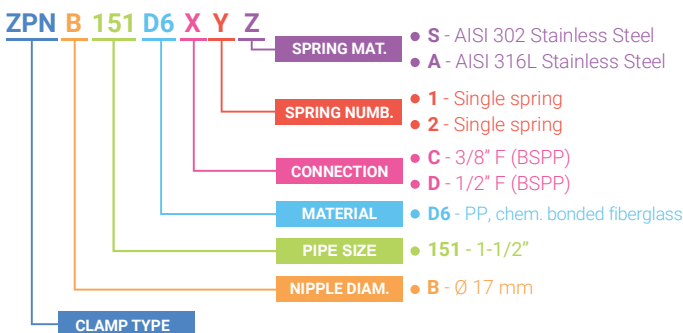
CODE AND DIMENSION FOR ZPN

CODE	RF		PS	PD	D	CH
	inch	DN				
ZPN B151 D6C1	3/8" F	1 1/2"	DN40	48.2 - 50.0	17.0	20
ZPN B151 D6D1	1/2" F	1 1/2"	DN40	48.2 - 50.0	17.0	26
ZPN B151 D6C2	3/8" F	1 1/2"	DN40	48.2 - 50.0	17.0	20
ZPN B151 D6D2	1/2" F	1 1/2"	DN40	48.2 - 50.0	17.0	26

CODE AND DIMENSION FOR ZPN MINI

CODE	RF	OD	Ød	CH	H	COLOUR
	inch	inch	mm	mm	mm	
ZPN E050 D6AMA	1/8" F	1/2"	9.00	16	38.0	YELLOW
ZPN E050 D6BMA	1/4" F	1/2"	9.00	18	38.0	
ZPN E050 D6CMA	3/8" F	1/2"	9.00	22	38.0	
ZPN E050 D6DMA	1/2" F	1/2"	9.00	24	38.0	
ZPN D075 D6AMA	1/8" F	3/4"	11.0	16	41.0	GREEN
ZPN D075 D6BMA	1/4" F	3/4"	11.0	18	41.0	
ZPN D075 D6CMA	3/8" F	3/4"	11.0	22	41.0	
ZPN D075 D6DMA	1/2" F	3/4"	11.0	24	41.0	
ZPN F100 D6AMA	1/8" F	1"	13.0	16	45.0	BLUE
ZPN F100 D6BMA	1/4" F	1"	13.0	18	45.0	
ZPN F100 D6CMA	3/8" F	1"	13.0	22	45.0	
ZPN F100 D6DMA	1/2" F	1"	13.0	24	45.0	

### HOW TO MAKE UP THE PRODUCT CODE ZPN



### HOW TO MAKE UP THE PRODUCT CODE ZPN MINI

