

(TRIANGLE FLANGED SWIVEL JOINTS) ZRP

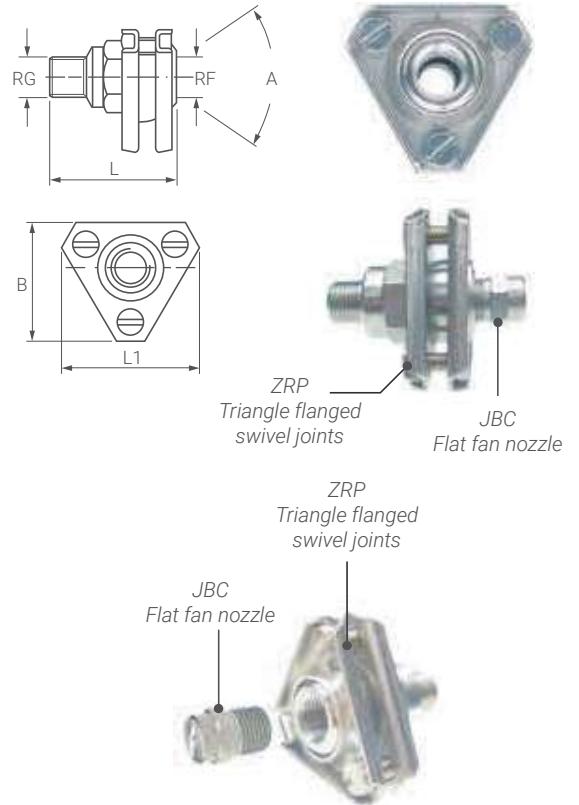
TRIANGLE FLANGED SWIVEL JOINTS

ZRP triangular flanged swivel joints have a robust metallic structure, are easy to fit and adjust and are widely used in manufacturing plants requiring product diversification.

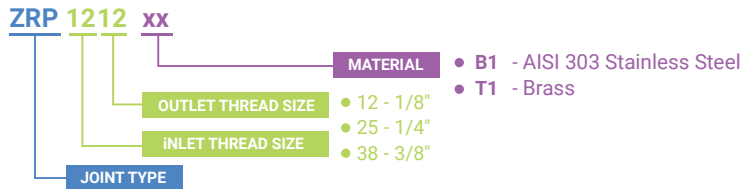
TYPICAL APPLICATIONS Cleaning equipment used in pre-treatment for coating process, continuous casting cooling

THREAD SPECIFICATION BSP, NPT
 INLET THREAD SIZE 1/8", 1/4", 3/8"
 OUTLET THREAD SIZE 1/8", 1/4", 3/8"
 MAX WORKING PRESSURE LP 15 bar

CODE	RG inch	RF inch	L mm	B mm	L1 mm	A deg	W g
ZRP 1212 xx	1/8"	1/8"	30	40	35	50°	65
ZRP 2512 xx	1/4"	1/8"	32				92
ZRP 2525 xx	1/4"	1/4"	40	50	45	60°	140
ZRP 2538 xx	1/4"	3/8"	40				150
ZRP 3825 xx	3/8"	1/4"	40				150
ZRP 3838 xx	3/8"	3/8"	40				150



HOW TO MAKE UP THE PRODUCT CODE Ex.: ZRP 1212 B31



(LARGE CAPACITY SWIVEL JOINTS) ZRQ

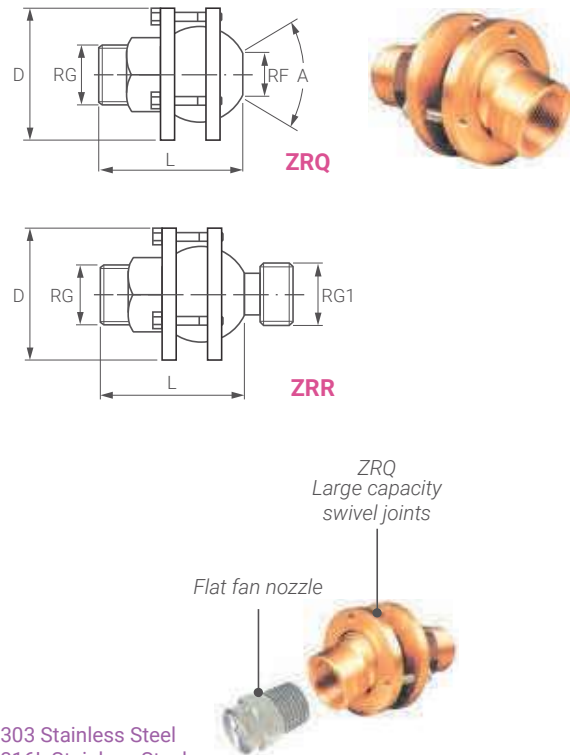
LARGE CAPACITY SWIVEL JOINTS

ZRQ series swivel joints are suitable for operating environments requiring large capacities and product diversification. Once set, they can be easily fitted and adjusted.

TYPICAL APPLICATIONS Cleaning equipment used in pre-treatment for coating process, continuous casting cooling

THREAD SPECIFICATION BSP, NPT
 INLET/OUTLET THREAD SIZE 1", 1 1/4", 1 1/2", 2", 2 1/2"
 MAX WORKING PRESSURE LP 9 bar
 MATERIAL B1 AISI 303 Stainless Steel
 B31 AISI 316L Stainless Steel
 T1 Brass

CODE	RG inch	RG1 inch	RF inch	L mm	D mm	A deg	W kg
ZRQ 8080 xx	1"	-	1"	89	92	40°	1.8
ZRQ 8282 xx	1 1/4"	-	1 1/4"	130			2.1
ZRQ 8482 xx	1 1/2"	-	1 1/4"	133			2.4
ZRR 8282 xx	1 1/4"	1 1/4"	-	130	92	40°	2.2
ZRR 8284 xx	1 1/2"	1 1/4"	-	130			2.2
ZRR 8484 xx	1 1/2"	1 1/2"	-	130			2.4
ZRR 8686 xx	2"	2 1/2"	-	203	158	40°	8.0
ZRR 8888 xx	2 1/2"	2 1/2"	-	229			8.8



HOW TO MAKE UP THE PRODUCT CODE Ex.: ZRQ 8080 B31

